

# Wall Cooker Hood, 60cm, Box Chimney

Series 7 | Contemporary

Stainless Steel and Glass

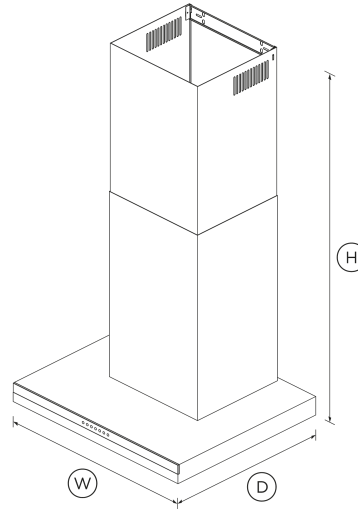


The wall chimney cooker hood has a contemporary styling, extracting steam, grease and cooking odours quietly and efficiently.

- With four fan speeds, plus boost function, select the perfect extraction rate for your cooking
- Powerful maximum air movement 617m<sup>3</sup>/hr
- Dishwasher safe filters that are easy to remove and clean

## DIMENSIONS

Height	600-1035 mm
Width	600 mm
Depth	500 mm



## FEATURES & BENEFITS

### Effective And Quiet

This cooker hood features four fan speeds, plus a boost function, providing powerful extraction to quickly remove odours and steam. As odours can linger in the kitchen well after cooking is finished, the timer keeps the rangehood working for up to 15 minutes before automatically turning off.

### Simple To Use

This Fisher & Paykel chimney cooker hood features a sleek and easy to use touch-control panel. Low energy, dimmable LED lights provide superb illumination over the entire cooking surface.

### Easy Cleaning

Designed for simple removal, the filters are easy to clean and dishwasher safe. The stainless steel mesh cover just needs a quick wipe to keep clean. An alert reminds you when to clean the filter to ensure you get the best performance out of your cooker hood.

### Designed To Match

This wall cooker hood features sleek black glass and stainless steel styling which will complement any contemporary kitchen and is designed to match the rest of Fisher & Paykel's kitchen appliance family.

## SPECIFICATIONS

### Accessories (included)

Aluminium filter	791938
------------------	--------

### Accessories (sold separately)

Chimney extension	792492
Eave ducting kit	RHK150E
Light bulb	792556
Recirculation carbon filter	792481
Recirculation diverter	792560
Side wall ducting kit	RHK150W

### Consumption

Energy rating	B
Energy usage	47kWh/year
In-use energy carbon emissions estimate	14.5kgCO <sub>2</sub> e/year

**Fan ratings**

Maximum air movement	<b>617 m<sup>3</sup>/hr</b>
Maximum pressured air movement EN61591 at boost	<b>617 m<sup>3</sup>/hr</b>
Maximum sound rating	<b>69 dB</b>

**Installation and cleaning**

Air outlet size	<b>150 mm</b>
Dishwasher safe filters	<b>2</b>
Ducted	<b>Top extraction</b>
Recirculation	<b>Optional - top extraction</b>
Stainless steel filter cover	<b>•</b>
Two piece height adjustable flue	<b>•</b>

**Performance**

Airflow balancing plate	<b>•</b>
Extraction type	<b>Surface</b>
Fan speeds	<b>4</b>
Filter type	<b>Mesh with Stainless Steel filter cover</b>
Number of filters	<b>2</b>

**Power requirements**

Lighting power	<b>7 W</b>
Motor power	<b>130 W</b>
Rated current	<b>3 A</b>
Supply frequency	<b>50 Hz</b>
Supply voltage	<b>220-240 V</b>

Total Power	<b>137 W</b>
-------------	--------------

**Product dimensions**

Depth	<b>500 mm</b>
Height	<b>600-1035 mm</b>
Width	<b>600 mm</b>

**Product information**

Control type	<b>Capacitive touch</b>
--------------	-------------------------

**Ventilation features**

Dimmable lights	<b>•</b>
Light type	<b>LED</b>
Timer function	<b>•</b>

**Warranty**

Parts and labour	<b>5 years</b>
------------------	----------------

SKU	<b>50119</b>
-----	--------------

The product dimensions and specifications in this page apply to the specific product and model. Under our policy of continuous improvement, these dimensions and specifications may change at any time. You should therefore check with Fisher & Paykel's Customer Care Centre to ensure this page correctly describes the model currently available. © Fisher & Paykel Appliances Ltd 2020

**Other product downloads available at fisherpaykel.com**

- [↓ 2D-DWG Wall Rangehood](#)
- [↓ 2D-DXF Wall Rangehood](#)
- [↓ Archicad Wall CookerHood](#)
- [↓ Data Sheet Wall Rangehood](#)
- [↓ Energy Label Wall Rangehood](#)
- [↓ Service & Warranty](#)
- [↓ Installation Guide](#)
- [↓ Product Information Sheet Wall Rangehood](#)
- [↓ Revit Wall CookerHood](#)
- [↓ Rhino Wall CookerHood](#)
- [↓ Sketchup Wall CookerHood](#)
- [↓ User Guide](#)

**Where applicable:**

All appliances use energy, and energy usage typically generates carbon emissions. **Fisher & Paykel Appliances' In-use Energy Carbon Emissions Estimate** indicates carbon emissions from a product's in-use energy. This is calculated either annually or per cycle, using the product's market-specific energy label energy consumption data multiplied by the carbon emissions factor for energy in your country or region.

Our In-use Energy Carbon Emissions Estimate is designed to assist customers in making informed purchasing decisions when comparing different Fisher & Paykel products. For example, a heat pump dryer typically has a lower In-use Energy Carbon Emissions Estimate than a vented dryer.



**A PEACE OF MIND SALE**  
**24 Hours 7 Days a Week Customer Support**  
 T 1800 625174 W [www.fisherpaykel.com](http://www.fisherpaykel.com)